

TOS-18104BMRL-B

Single Digit Display LED

| Part Number | Chip | | Face Color | Segment Color |
|-----------------|----------|--------------|------------|---------------|
| | Material | Source Color | | |
| TOS-18104BMRL-B | AlGaInP | Ultra red | Black | White |

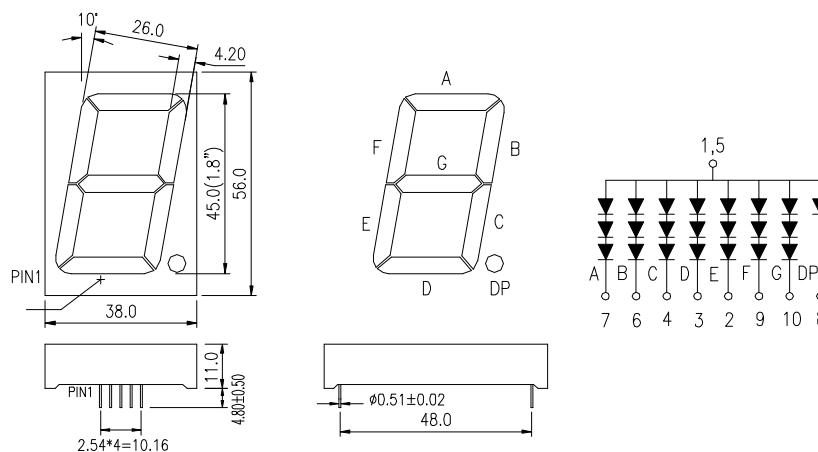
Features

- (1.80") 45.0mm digit height
- Common anode
- I.C. compatible
- Low power requirement
- RoHS compliant

Applications

- Audio equipment
- Instrument panels
- Digital read out display

Package Dimensions & Internal Circuit Diagram



Notes:

1. All dimensions are in millimeters, tolerance: ± 0.25 ; Angle: $\pm 0.1^\circ$ unless otherwise noted.
2. Specifications are subject to change without notice.

Absolute Maximum Rating @ Ta=25°C

| Parameter | Maximum Rating | Unit |
|---|-----------------|------|
| Peak Forward Current (1/10 Duty Cycle, 0.1ms Pulse Width) | 80 | mA |
| Power Dissipation Per Dice | 75 | mW |
| Continuous Forward Current Per Dice | 20 | mA |
| Recommend Operating Current Per Dice | 12 | mA |
| Reverse Voltage Per Dice | 5 | V |
| Operating Temperature Range | -25°C to +85°C | |
| Storage Temperature Range | -30°C to +85°C | |
| Lead-Free Solder Temperature(1/16 Inch Below Seating Plane) | 260°C for 3 Sec | |

Electrical / Optical Characteristic @ Ta=25°C

| Parameter | Symbol | Min. | Typ. | Max. | Unit | Test Condition | Grade |
|----------------------------------|-----------------|------|------|-------|---------|----------------|-------|
| Dominant Wavelength | λ_d | | 640 | | nm | $I_F=20mA$ | |
| Spectral Line Half-Width | $\Delta\lambda$ | | 15 | | nm | $I_F=20mA$ | |
| Forward Voltage Per Dice | V_F | 1.8 | 2.0 | 2.3 | V | $I_F=20mA$ | |
| Reverse Current Per Dice | I_R | | | 100 | μA | $V_R=5V$ | |
| Luminous Intensity Matching Rate | lv-m | | | 2.0:1 | | $I_F=20mA$ | |

The DISPLAYS should be kept at 30°C or less and 60%RH or less. The DISPLAYS should be used within one year.