

TOS-70101AMR-B

Single Digit Display LED

Part Number	Chip		Face Color	Segment Color
	Material	Source Color		
TOS-70101AMR-B	AlGaInP	Ultra-red	Black	White

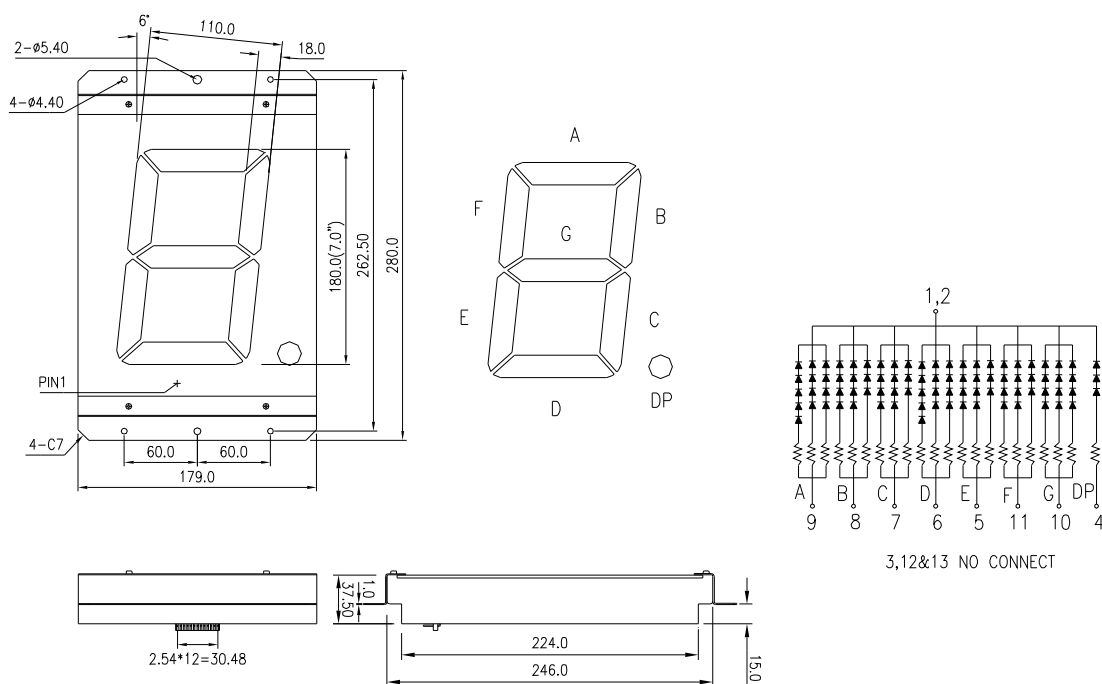
Features

- (7.0") 180.0mm digit height
- Common cathode
- I.C. compatible
- Low power requirement
- RoHS compliant

Applications

- Audio equipment
- Instrument panels
- Digital read out display

Package Dimensions & Internal Circuit Diagram



Notes:

1. All dimensions are in millimeters, tolerance: ± 0.25 ; Angle: $\pm 0.1^\circ$ unless otherwise noted.
2. Specifications are subject to change without notice.

Absolute Maximum Rating @ Ta=25°C

	A.D Segment	B.C.E.F.G Segment	DP
Forward Current 25°C (Max.)	75mA		25mA
Forward Current 70°C (Max.)	15mA		7mA
Peak Forward Current (Max.)	240mA		80mA
Reverse Voltage/Segment (Max./I _R = 300uA)	25V	20V	15V
Maximum Power Dissipation/Segment	1350mW	1350mW	300mW
Operating Temp Range	-25°C ~ +85°C		
Storage Temp Range	-30°C ~ +85°C		
Junction Temp T _j	>85°C		
Solder Temp	260°C/3sec		

Electrical / Optical Characteristic @ Ta=25°C

Parameter	Symbol	Min.	Typ.	Max.	Unit	Test Condition	Grade
Dominant Wavelength	λ_d		630		nm	$I_F=20\text{mA}$	
Spectral Line Half-Width	$\Delta\lambda$		15		nm	$I_F=20\text{mA}$	
Forward Voltage Per Dice(A/D)	V_F	9	10	11.5	V	$I_F=20\text{mA}$	
Forward Voltage Per Dice(B/C/E/F/G)	V_F	7.2	8.0	9.2	V	$I_F=20\text{mA}$	
Forward Voltage Per Dice(DP)	V_F	5.4	6	6.9	V	$I_F=20\text{mA}$	
Reverse Current Per Dice	I_R			100	μA	$V_R=5\text{V}$	
Luminous Intensity Matching Rate	lv-m			2.0:1		$I_F=20\text{mA}$	

The DISPLAYS should be kept at 30°C or less and 60%RH or less. The DISPLAYS should be used within one year.